

# Operation Manual

GOTOH UKULELE PEG UK700 GOTOH Height Adjustable Post

## 1 Caution when using

A) Movable range of H.A.P. system is approx. 6.8mm. Use within this range. There may be unable for use depending on ukulele.

B) As movable post① does not have stopper, it may slip off from fixed post③ if it is too much loosened.

C) When movable post① is at highest position, make sure that interlocking length with fixed post③ must be more than 2 threads [approx. 2 turns of movable post①], otherwise it may drop off when using.

D) If the machine heads is in packaged, exchange bushings with attached. It may cause depreciation of durability of machine heads in case the old bushing is kept using. It is recommended to go to repair shop for changing machine heads as it may require additional works on guitar headstock for mounting precision.

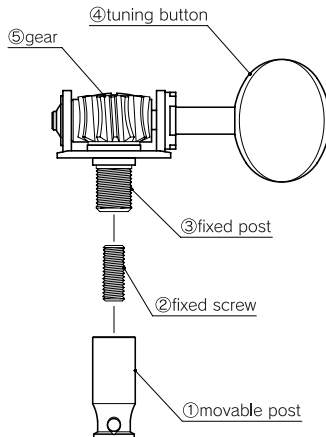


Fig. 1



Fig. 2

## 2 Lock or release of movable post

Insert allen wrench into hole on center of gear⑤. In case of 2-on-side (2L-2R), turn fixed screw② that is inside of gear center counter-clockwise for releasing of 1st and 2nd string machines and turn clockwise for locking. For 3rd and 4th string post, turn for clockwise releasing and turn counter-clockwise for locking. In case of 4-in-line (4-L), turn clockwise for releasing and turn counter-clockwise for locking. By opposite action for left handed or reverse-head ukulele. **Fig. 1**.



Fig. 3

## 3 Adjusting of string post height

1. Release locking of movable post① by above **2** and turn it to the position where the fixed screw② stops **Fig. 1**.

2. Hold the movable post① by fingers and turn it counter-clockwise for 1st and 2nd string post in case of 2-on-side (2L-2R) and turn clockwise for 3rd and 4th for lower string post. By opposite action, post becomes higher **Fig. 2**. In case of 4-in-line (4-L), turn clockwise for higher string post and counter-clockwise to for lower post. By opposite action for left handed or reverse-head ukulele.

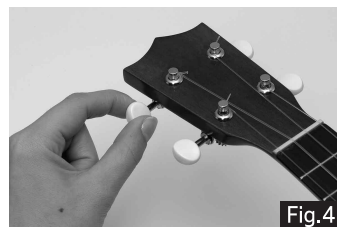


Fig. 4

3. Lock movable post① by firmly tightening fixing screw② at desired post height as above **2** **Fig. 1**.

4. Put strings and tune them **Fig. 3**.

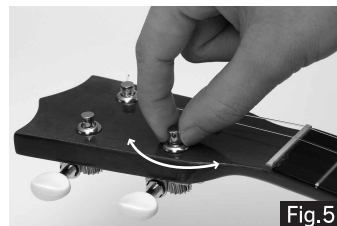


Fig. 5

※It may be the following reasons if the movable post① is not functioned by above 1~4 operation.

a) Fixing screw② may be not in low enough and movable post① might touch it, thus the movable post① might be in locked condition.



Fig. 6

...Loosen fixing screw② until it stops **Fig. 1**.

b) It may have too much pressure on threads of movable post①

...Tighten fixing screw② and fix movable post① **Fig. 1**, then loosen string by approx. 2 turns **Fig. 4** and loosen fixing screw② by approx. 5~6 turns **Fig. 1**, then move the movable post① by fingers on left and right **Fig. 5**. After that turn tuning button④ to the direction of tightening string **Fig. 3** and adjust the movable post① at desired height, then firmly tighten fixing screw② **Fig. 1**.

c) Movable post① can not be lower further as it may be in excess of movable range

...Movable post① may touch fixed post③ and in locked condition. Take out string from movable post① and insert the attached wrench into string hole of movable post① **Fig. 6** and release locking by turning movable post① to higher position, then start again for height adjusting from beginning. (As string height seems to be a little too low, it is recommended to adjust a little more higher)

**GOTOH**<sup>®</sup>

3040 Miyako-cho, Iseaki, Gunma, 372-0801 Japan  
Phone 0270-25-3608 Fax 0270-23-8432