

# GOTOH® 510T/510TS OPERATION MANUAL

## ◆ ARM LOCK

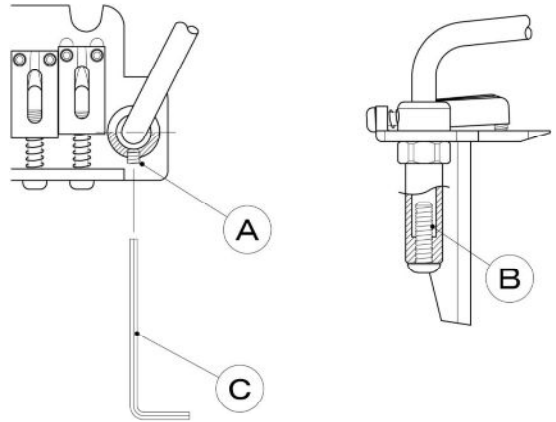
HOW TO ATTACH AND SET THE TREMOLO ARM

1. Loosen the torque-adjusting screw (A) slightly with the hex key (C).
2. Insert arm until it presses against the center-guide screw.
3. Turn arm clockwise until it is at the desired height.
4. Tighten the torque-adjusting screw (A) with the hex key (C) to set the amount of arm torque.

HOW TO REMOVE THE TREMOLO ARM

1. Turn arm counter-clockwise until it detaches from the center-guide screw (B).
2. Pull arm out of holder.

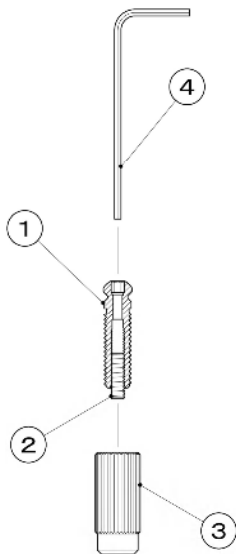
**\*\* CAUTION :** Do not loosen or tighten the torque-adjusting screw unnecessarily or frequently.



## ◆ STUD LOCK

The GOTOH Stud Lock is a system to increase the solidity of the anchor and stud combination. It uses a special stud-lock screw to press against the anchor bottom, tightening the contact between stud and anchor threads. This results in a height-adjustable stud that won't shift during use. It also enhances the vibrational tone transfer from the strings to the guitar body.

**\*\* CAUTION :** When you adjust the height of the stud make sure your strings are loose. If you make this adjustment while your strings are at normal tension it may cause some wear on the plate where it presses against the stud.



### INSTRUCTIONS

1. Insert the 1.5mm hex key (4) into the center of the stud (1) and twist clockwise slightly to make sure the stud-lock screw (2) is loose enough to turn easily.
2. Insert stud (1) into anchor (3) and then use the 2.5mm hex key (not shown) in the head of the stud to adjust to your desired height.
3. Again insert the 1.5mm hex key (4) into the center of the stud (1) and tighten until the stud-lock screw (2) touches the bottom of the anchor (3). Then tighten more firmly to make sure that the stud doesn't move.