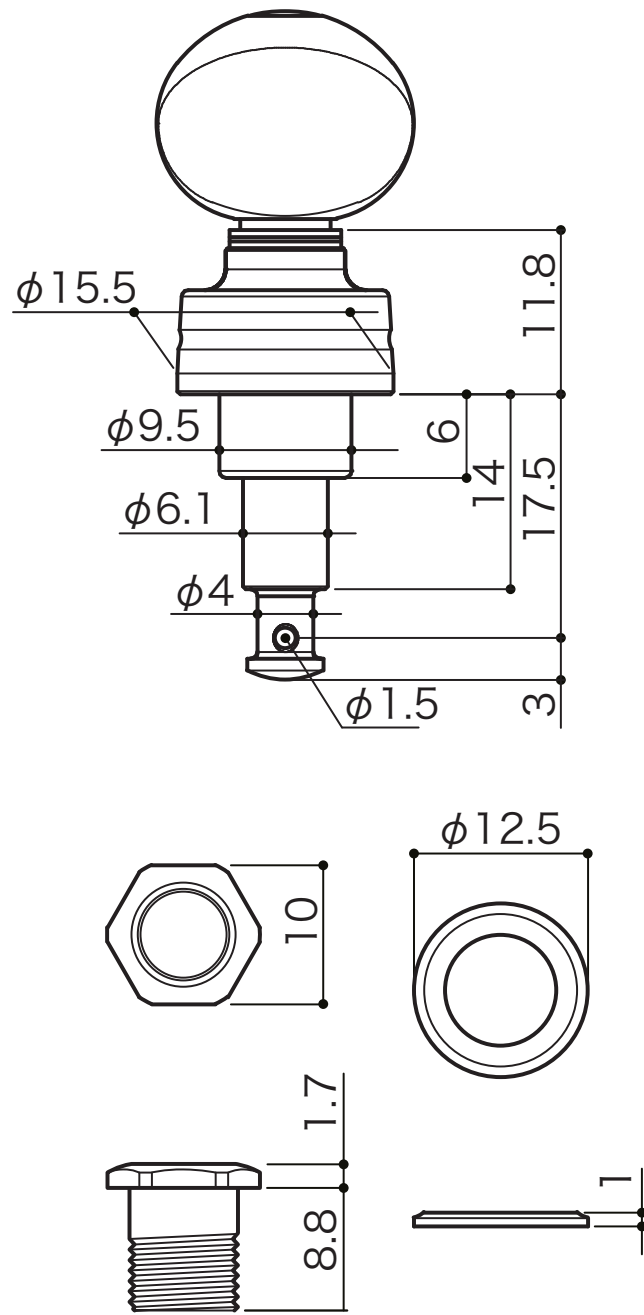


UPT

For head thickness 10 to 12mm



UPTL

For head thickness 11.5 to 13.5mm

