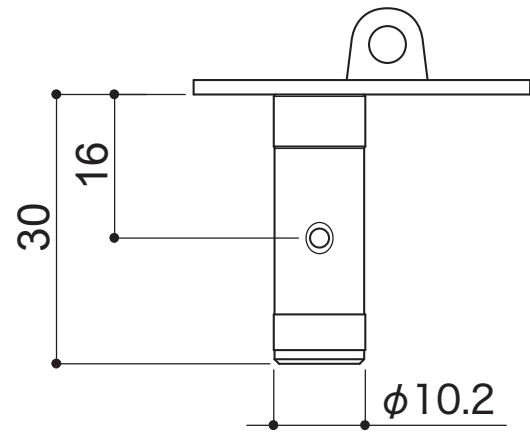
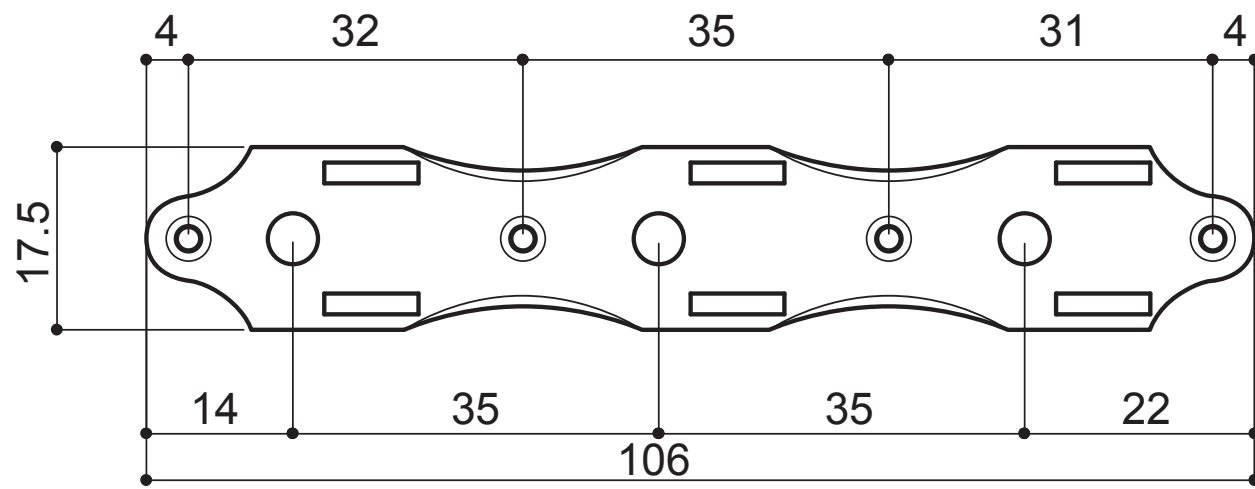
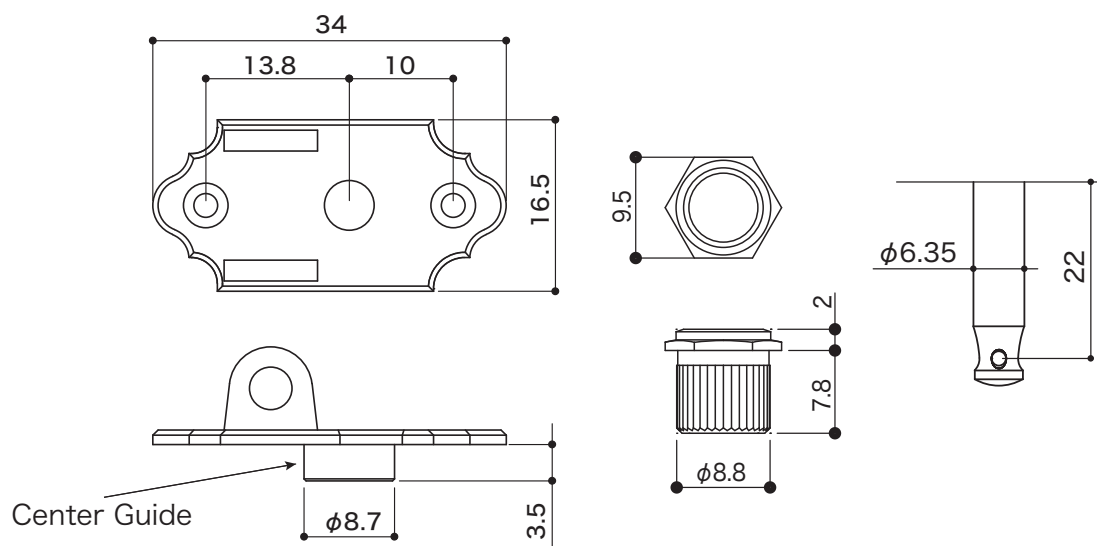


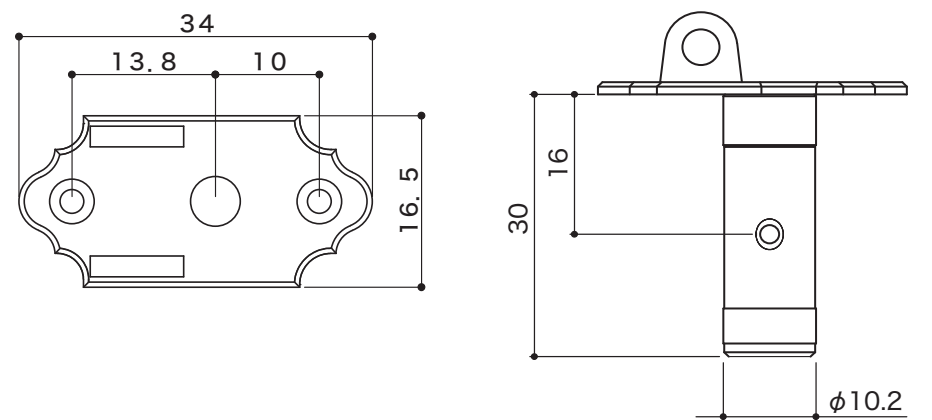
KG01-CA



KG02-B



KG02-C



KG02-N

